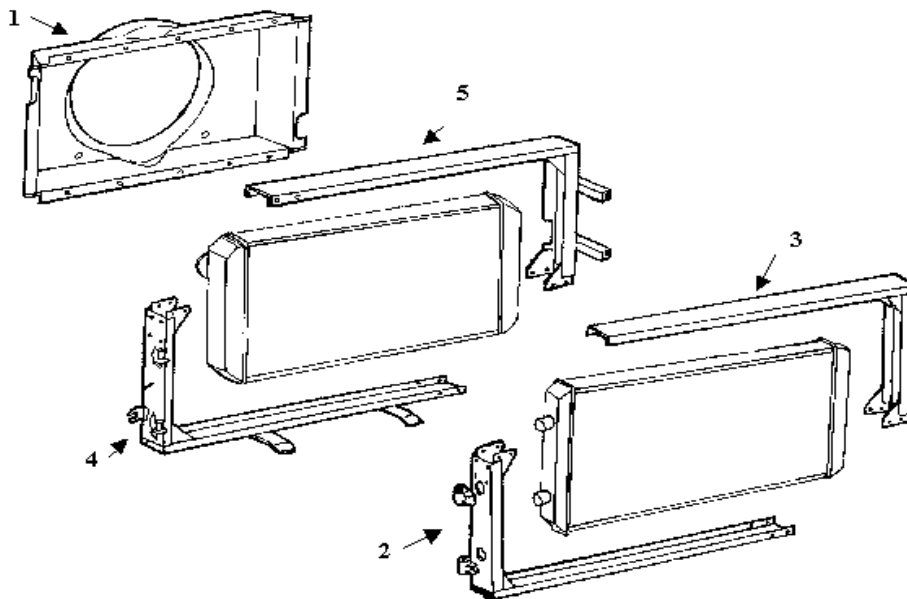


### OIL COOLERS (NEW)

OE REF	PL REF	DESCRIPTION
3979006	PL08798	OIL COOLER - (SHORT NECK) - B10M MK.2/3/4, B10B, B10L
469264	PL08797	OIL COOLER - (LONG NECK) - B10M MK.1
<i>1 YEAR WARRANTY</i>		

### ENGINE OIL TANK (NEW) / HYDRAULIC TANK (NEW)

OE REF	PL REF	DESCRIPTION
3035491	PL12540	OIL TANK - ENGINE - B10M MK.2/3/4
3118216	PL12552	OIL TANK - ENGINE - B10L
3036180	PL12541	HYDRAULIC TANK - B10 MK.4 / B10B
<i>3 YEAR WARRANTY</i>		



### FRAMES & COWLS - B10M MK.4, B10B & B10L

OE REF	PL REF (MILD STEEL)	PL REF (STAINLESS STEEL)	DESCRIPTION	ILLUS.
3193703	N/A	PL12539	FAN COWL - (STAINLESS STEEL)	1
3193712	PL12303	PL12546	FRAME - BOTTOM - INTERCOOLER	2
3193713	PL12304	PL12547	FRAME - TOP - INTERCOOLER	3
9958615	PL12542	PL12544	FRAME - BOTTOM - RADIATOR	4
9958616	PL12543	PL12545	FRAME - TOP - RADIATOR	5
<i>* STAINLESS = 2 YEAR WARRANTY - MILD STEEL = 1 YEAR WARRANTY</i>				

NB - OE part number quoted for reference purposes only.